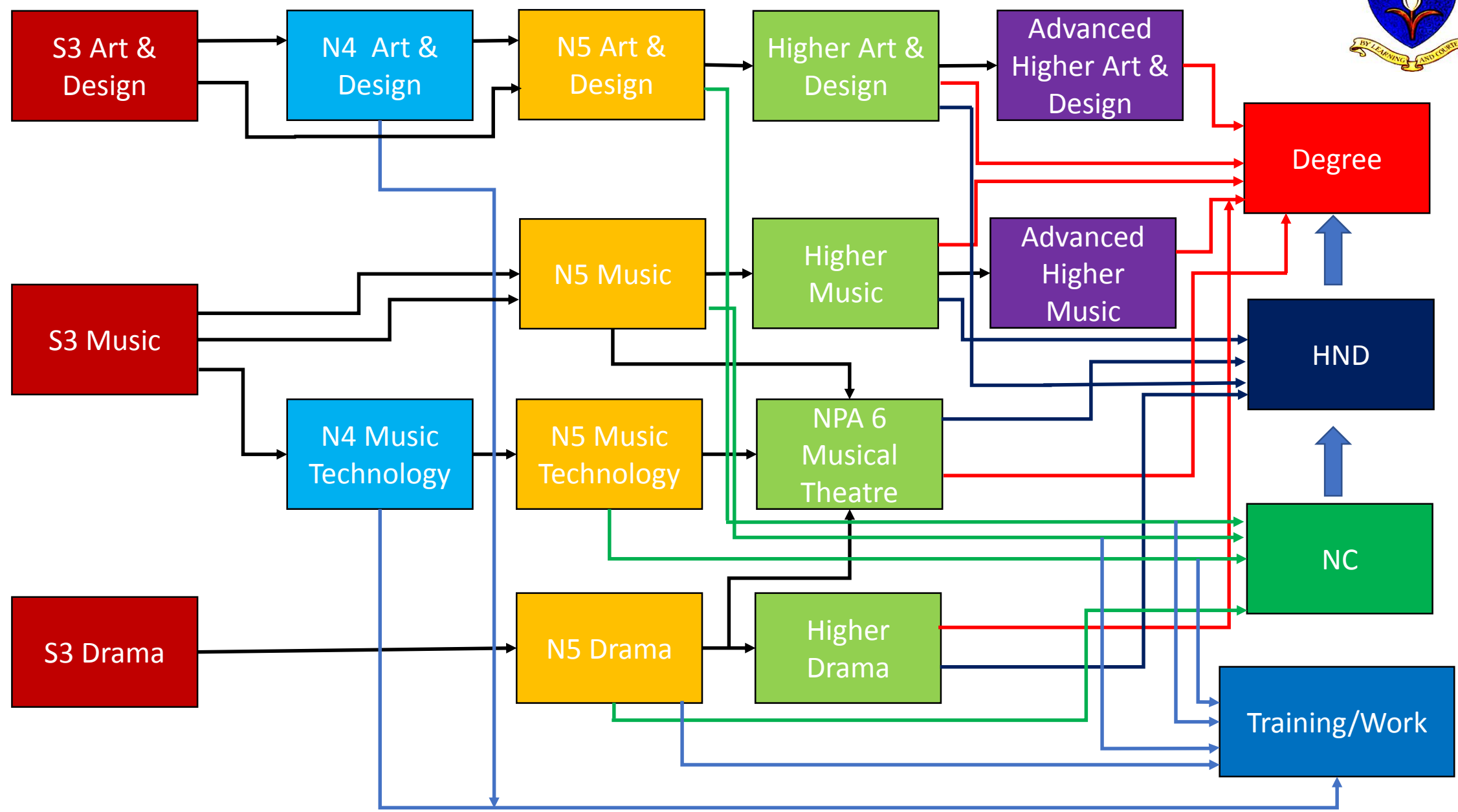


Pathways shown are typical progression route pathways for Harlaw school based courses. Other pathways are available via other learning facilities.

Entrance Requirements			
Subject	Level 4	Level 5	Level6
Physical Education	Completion of CfE Experiences & Outcomes from Core PE	Completion of CfE Experiences & Outcomes from Core PE	<ul style="list-style-type: none"> <li>N5 Physical Education A or B</li> <li>AND N5 A or B English pass</li> </ul>
Sports Leader			<ul style="list-style-type: none"> <li>S5 &amp; 6 Pupils only</li> </ul>
Health & Food Technology	<ul style="list-style-type: none"> <li>Level 3 BGE</li> <li>Teacher Recommendation</li> </ul>	<ul style="list-style-type: none"> <li>Level 4 BGE</li> <li>Teacher Recommendation</li> </ul>	
Hospitality	<ul style="list-style-type: none"> <li>Level 3 BGE</li> <li>Teacher Recommendation</li> </ul>	<ul style="list-style-type: none"> <li>Level 4 BGE</li> <li>N4 Hospitality</li> <li>Teacher Recommendation</li> </ul>	



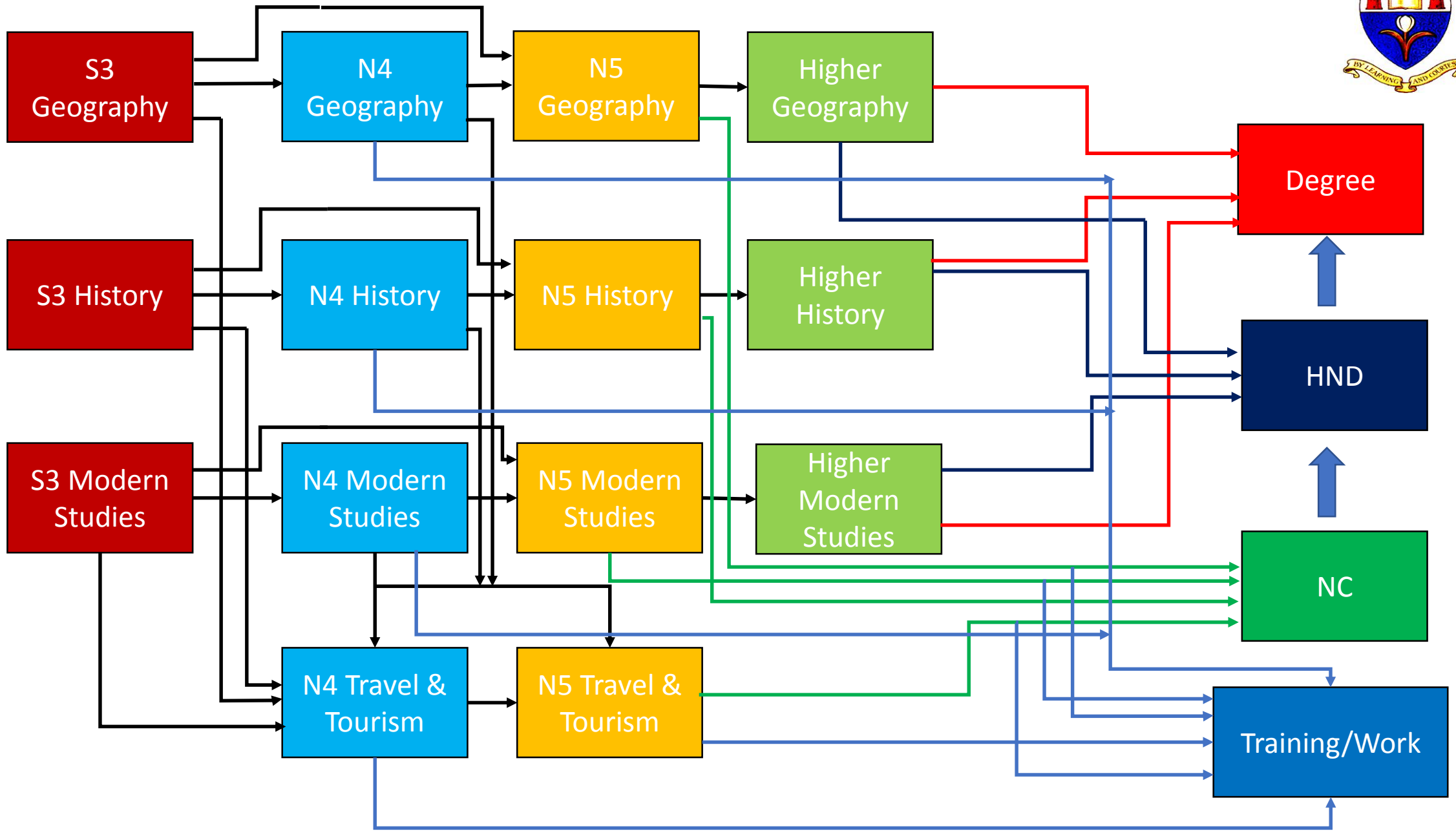
# Progression Pathways Expressive Arts



Pathways shown are typical progression route pathways for Harlaw school based courses. Other pathways are available via other learning facilities.

Entrance Requirements				
Subject	Level 4	Level 5	Level 6	Level 7
Art & Design	<ul style="list-style-type: none"> <li>Level 3 BGE</li> </ul>	<ul style="list-style-type: none"> <li>N4 Art &amp; Design pass</li> <li>L4 BGE</li> </ul>	<ul style="list-style-type: none"> <li>N5 Art &amp; Design A or B</li> </ul>	<ul style="list-style-type: none"> <li>Higher Art &amp; Design A or B</li> </ul>
Music		<ul style="list-style-type: none"> <li>N4 Music pass</li> <li>L4 BGE</li> <li>Or Proficiency in two instruments</li> </ul>	<ul style="list-style-type: none"> <li>N5 Music A or B</li> </ul>	<ul style="list-style-type: none"> <li>Higher Music A or B</li> </ul>
Music Technology	<ul style="list-style-type: none"> <li>Level 3 BGE</li> </ul>	<ul style="list-style-type: none"> <li>N4 Music pass</li> <li>Level 4 BGE</li> </ul>		
Theatre Arts			<ul style="list-style-type: none"> <li>N5 English pass</li> <li>N5 Music or Drama pass</li> <li>OR Musical Theatre Experience</li> </ul>	
Drama		<ul style="list-style-type: none"> <li>L4 BGE or equivalent Drama Experience</li> </ul>	<ul style="list-style-type: none"> <li>N5 Drama A or B</li> <li>N5 English pass</li> </ul>	

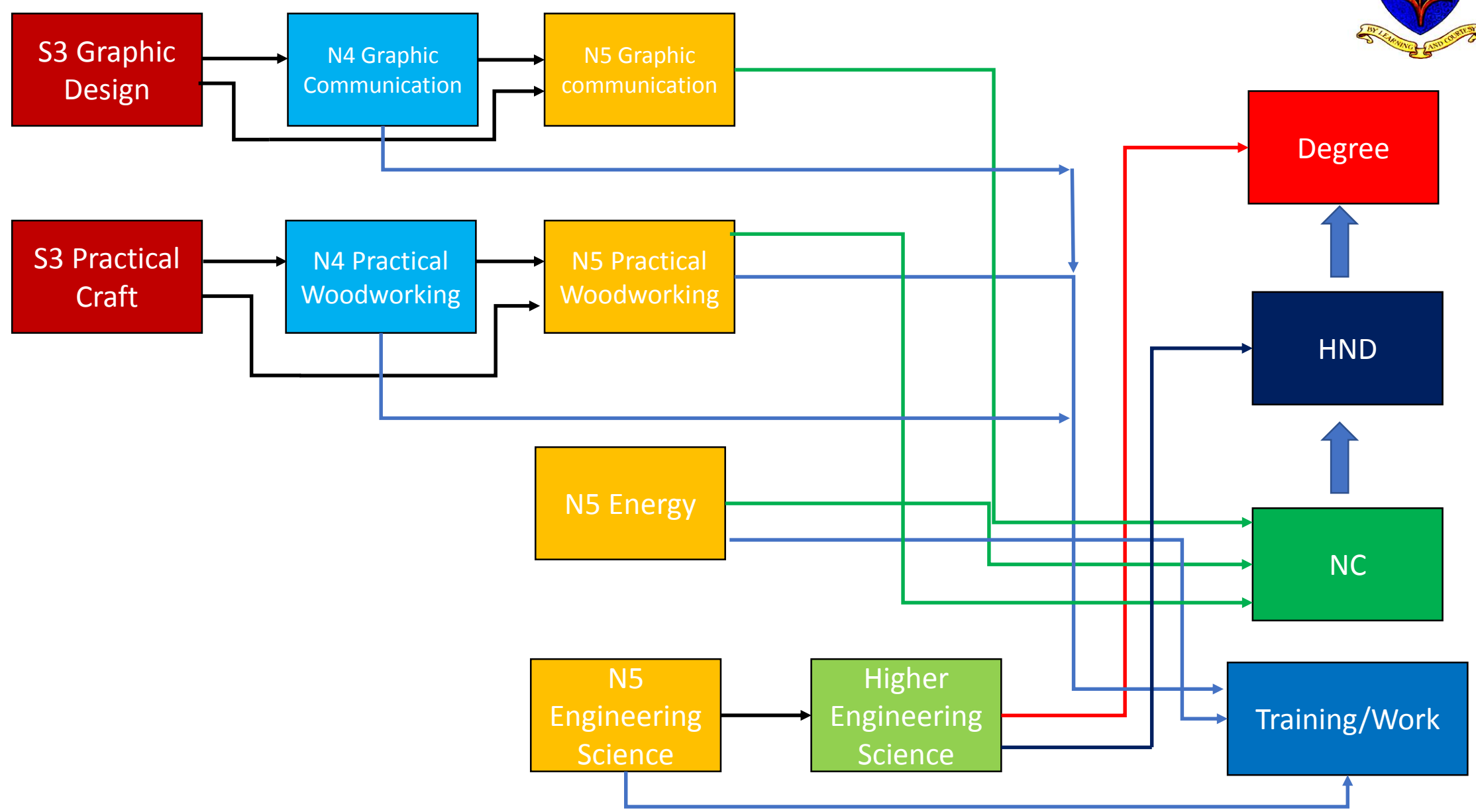
# Progression Pathways Social



Pathways shown are typical progression route pathways for Harlaw school based courses. Other pathways are available via other learning facilities.

Entrance Requirements				
Subject	Level 4	Level 5	Level 6	Level 7
Geography	<ul style="list-style-type: none"> <li>Level 3 or 4 BGE Social Subjects</li> </ul>	<ul style="list-style-type: none"> <li>N4 pass Geography, History or Modern Studies</li> <li>Level 4 BGE Social Subjects</li> </ul>	<ul style="list-style-type: none"> <li>N5 A or B in Geography, History or Modern Studies</li> <li>H5 C pass maybe accepted at the discretion of Faculty Head</li> </ul>	
History	<ul style="list-style-type: none"> <li>Level 3 or 4 BGE Social Subjects</li> </ul>	<ul style="list-style-type: none"> <li>N4 pass Geography, History or Modern Studies</li> <li>Level 4 BGE Social Subjects</li> </ul>	<ul style="list-style-type: none"> <li>N5 A or B in Geography, History or Modern Studies</li> <li>H5 C pass maybe accepted at the discretion of Faculty Head</li> </ul>	
Modern Studies	<ul style="list-style-type: none"> <li>Level 3 or 4 BGE Social Subjects</li> </ul>	<ul style="list-style-type: none"> <li>N4 pass Geography, History or Modern Studies</li> <li>Level 4 BGE Social Subjects</li> </ul>	<ul style="list-style-type: none"> <li>N5 A or B in Geography, History or Modern Studies</li> <li>H5 C pass maybe accepted at the discretion of Faculty Head</li> </ul>	
Travel & Tourism	<ul style="list-style-type: none"> <li>Level 3 or 4 BGE Social Subjects</li> </ul>	<ul style="list-style-type: none"> <li>N4 pass Geography, History or Modern Studies</li> <li>Level 4 BGE Social Subjects</li> </ul>		

# Progression Pathways Technology

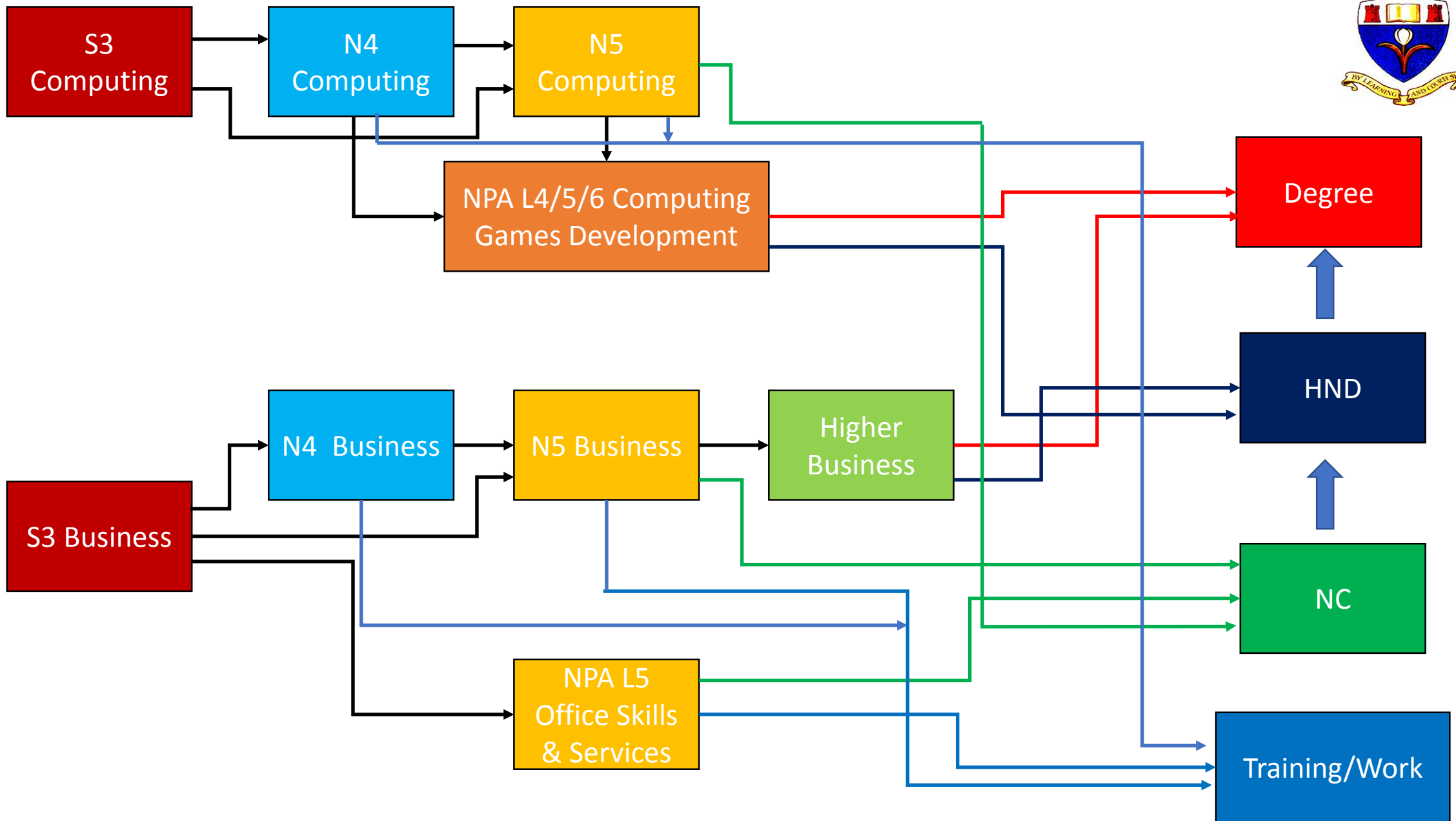


Pathways shown are typical progression route pathways for Harlaw school based courses. Other pathways are available via other learning facilities.

Entrance Requirements			
Subject	Level 4	Level 5	Level6
Practical woodworking	<ul style="list-style-type: none"> <li>Level 3 BGE</li> <li>Teacher Recommendation</li> </ul>	<ul style="list-style-type: none"> <li>Level 4 BGE</li> <li>N4 Practical woodworking Pass</li> <li>Teacher Recommendation</li> </ul>	
Graphic Communication	<ul style="list-style-type: none"> <li>Level 3 BGE</li> <li>Teacher Recommendation</li> </ul>	<ul style="list-style-type: none"> <li>N4 Graphic Communication</li> <li>Level 4 BGE</li> <li>Teacher Recommendation</li> </ul>	
Engineering Science		<ul style="list-style-type: none"> <li>N5 Maths pass at A,B or C or expected pass</li> <li>L4 BGE with Teacher Recommendation</li> </ul>	<ul style="list-style-type: none"> <li>N5 A or B Engineering Science <b>AND</b> N5 A or B Maths</li> <li><b>AND</b> N5 English Pass</li> <li>N5 C pass maybe accepted at the discretion of Faculty Head</li> </ul>
Energy		<ul style="list-style-type: none"> <li>Teacher Recommendation</li> </ul>	



# Progression Pathways Technology

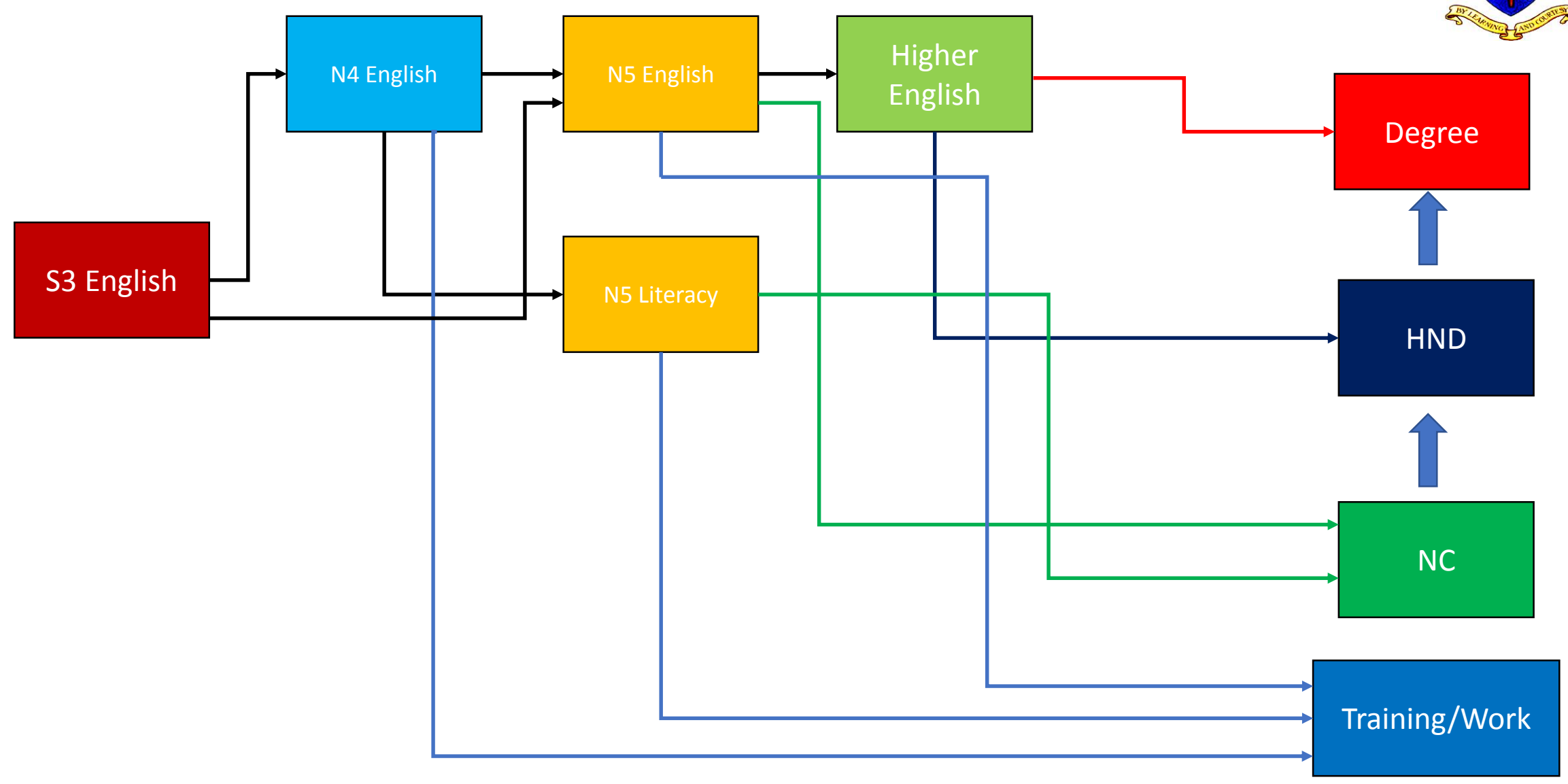


Pathways shown are typical progression route pathways for Harlow school based courses. Other pathways are available via other learning facilities.

Entrance Requirements			
Subject	Level 4	Level 5	Level6
Computing Science	<ul style="list-style-type: none"> <li>Level 3 BGE</li> </ul>	<ul style="list-style-type: none"> <li>Level 4 BGE</li> <li>N4 Computing Science</li> </ul>	
Computer Games Development	<ul style="list-style-type: none"> <li>Basic IT skills</li> <li>Interest in subject</li> </ul>	<ul style="list-style-type: none"> <li>Level 4 pass</li> </ul>	<ul style="list-style-type: none"> <li>Level 5 pass</li> </ul>
Business Management	<ul style="list-style-type: none"> <li>Level 3 BGE</li> </ul>	<ul style="list-style-type: none"> <li>Level 4 BGE</li> <li>N4 Business Management</li> </ul>	<ul style="list-style-type: none"> <li>N5 A or B Business Management</li> <li>N5 C pass maybe accepted at the discretion of Faculty Head</li> <li>N5 A or B English pass</li> </ul>
Office Skills & Services		<ul style="list-style-type: none"> <li>Level 3/4 BGE</li> <li>N4 Business Management</li> </ul>	



# Progression Pathways English

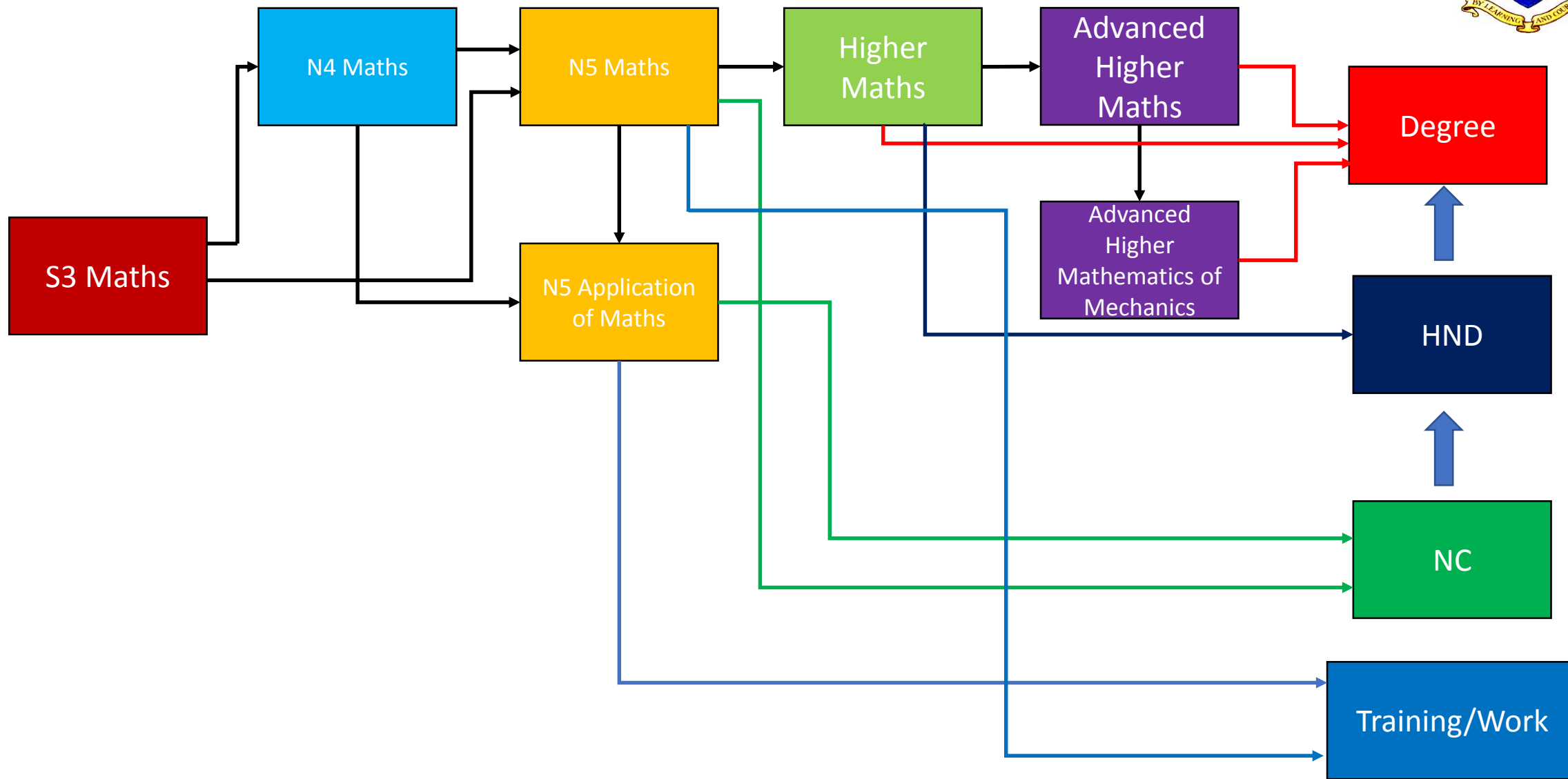


Pathways shown are typical progression route pathways for Harlaw school based courses. Other pathways are available via other learning facilities.

## Entrance Requirements

Subject	Level 4	Level 5	Level 6
English	<ul style="list-style-type: none"> <li>N3 Pass</li> <li>Level 3 BGE</li> </ul>	<ul style="list-style-type: none"> <li>N4 Pass</li> <li>Level 4 BGE</li> </ul>	<ul style="list-style-type: none"> <li>N5 English A or B</li> <li>N5 C if attained N5 A or B pass in History or Modern studies on teacher recommendation</li> </ul>
Literacy		<ul style="list-style-type: none"> <li>N4 English (S5 &amp; 6 only)</li> </ul>	

# Progression Pathways Mathematics

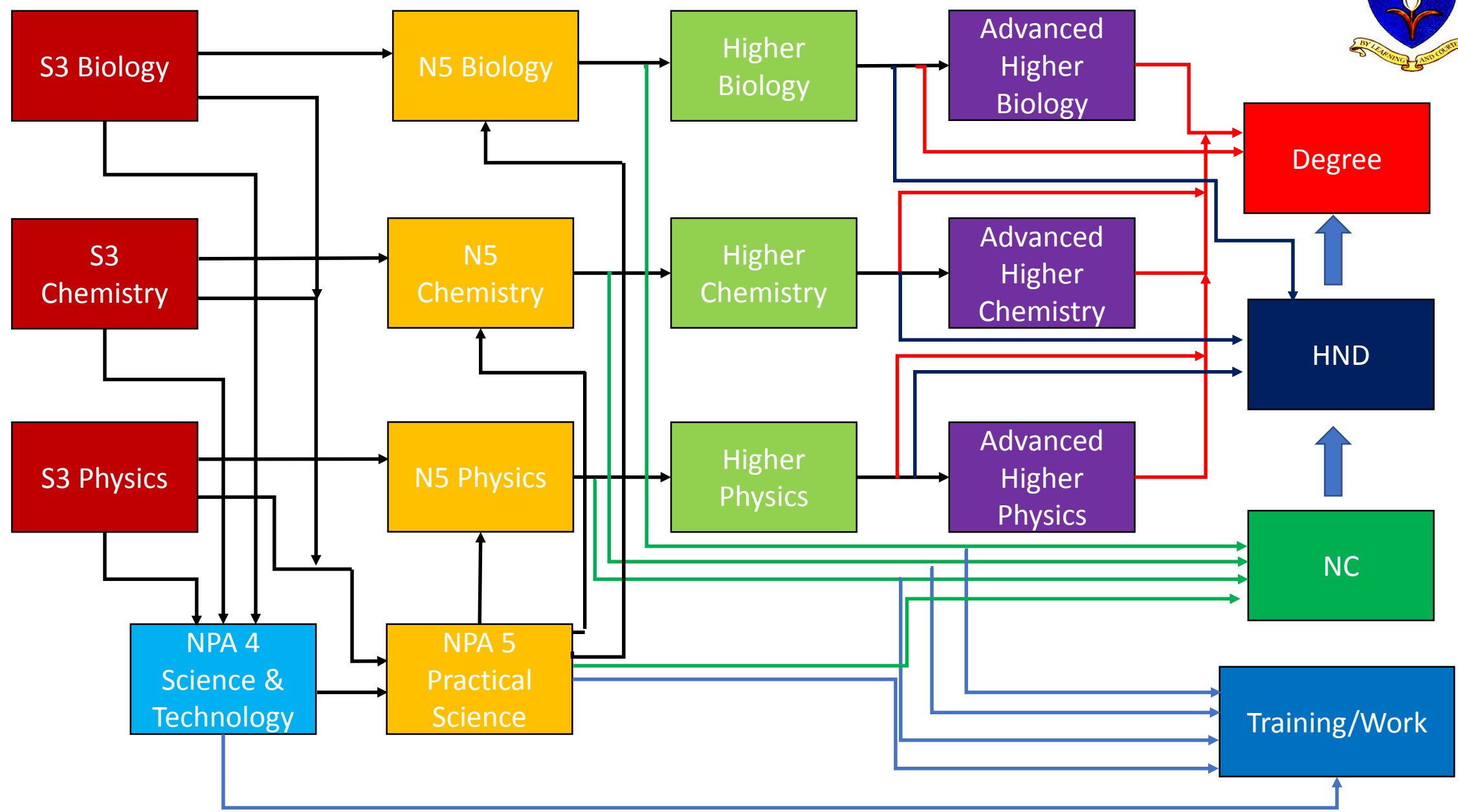


Pathways shown are typical progression route pathways for Harlaw school based courses. Other pathways are available via other learning facilities.

Entrance Requirements				
Subject	Level 4	Level 5	Level 6	Level 7
Mathematics	<ul style="list-style-type: none"> <li>N3 pass Application of Maths</li> <li>Teacher Recommendation</li> </ul>	<ul style="list-style-type: none"> <li>N4 pass Mathematics</li> <li>N5 A, B or C pass Application of Maths</li> <li>Teacher Recommendation</li> </ul>	<ul style="list-style-type: none"> <li>N5 Mathematics A, B or C</li> </ul>	<ul style="list-style-type: none"> <li>Higher Mathematics A or B</li> </ul>
Mathematics of Mechanics				<ul style="list-style-type: none"> <li>Higher Mathematics A or B</li> <li>Must also be studying AH Mathematics</li> </ul>
Application of Maths		<ul style="list-style-type: none"> <li>N4 pass Mathematics</li> <li>N5 Maths A, B, C or D pass</li> <li>Teacher Recommendation</li> </ul>		



# Progression Pathways Science

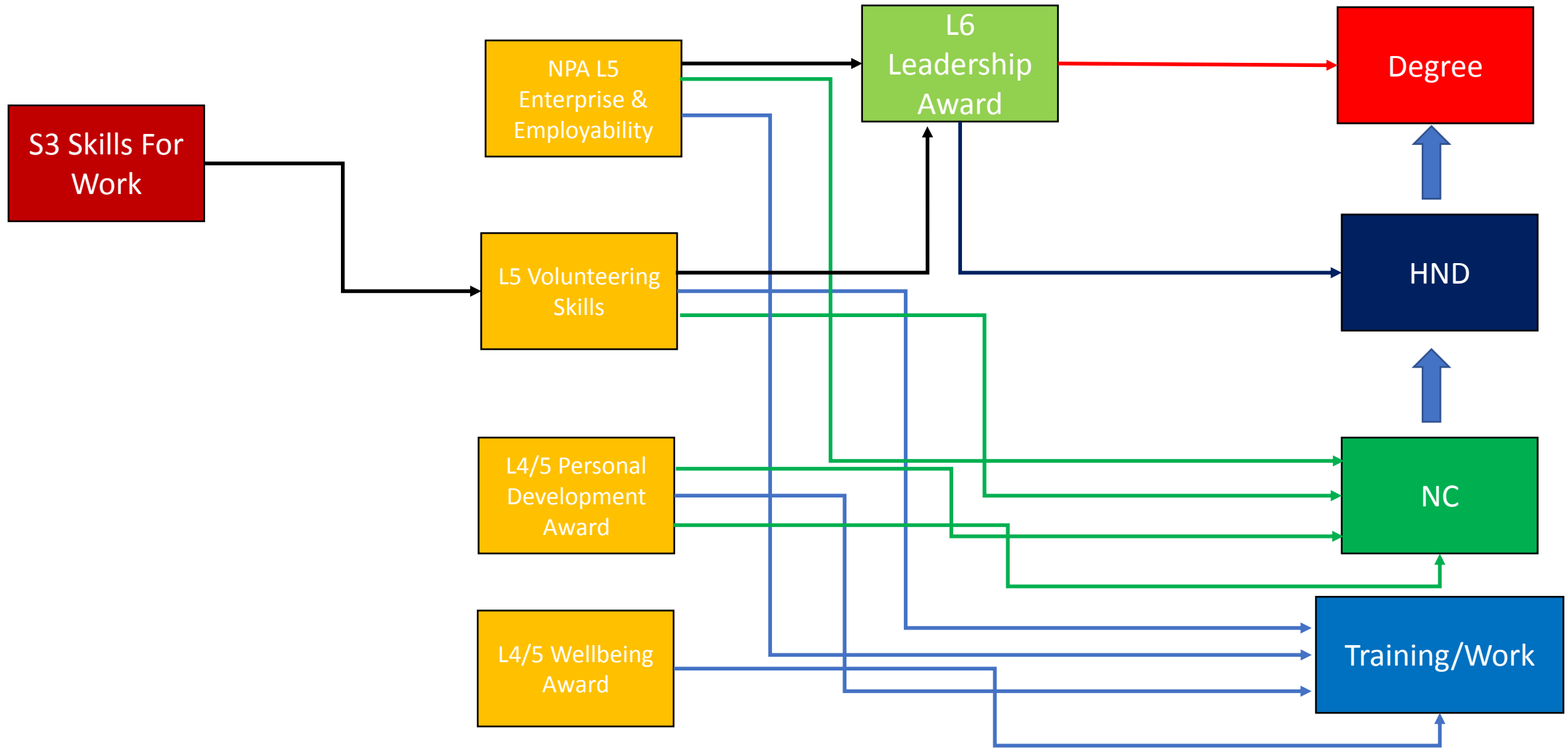


Pathways shown are typical progression route pathways for Harlaw school based courses. Other pathways are available via other learning facilities.

Entrance Requirements				
Subject	Level 4	Level 5	Level 6	Level 7
Biology		<ul style="list-style-type: none"> <li>N4 Biology pass</li> <li>N5 pass Physics or Chemistry</li> <li>Teacher Recommendation</li> </ul>	<ul style="list-style-type: none"> <li>N5 Biology A or B</li> </ul>	<ul style="list-style-type: none"> <li>Higher Biology A or B</li> </ul>
Chemistry		<ul style="list-style-type: none"> <li>N4 Chemistry</li> <li>N5 Physics or Chemistry</li> <li>Teacher Recommendation</li> </ul>	<ul style="list-style-type: none"> <li>N5 Chemistry</li> </ul>	<ul style="list-style-type: none"> <li>Higher Chemistry A or B</li> </ul>
Physics		<ul style="list-style-type: none"> <li>N4 Physics pass</li> <li>N5 pass Chemistry or Biology with N5 Mathematics/teacher recommendation</li> </ul>	<ul style="list-style-type: none"> <li>N5 Physics AND N5 Mathematics</li> </ul>	<ul style="list-style-type: none"> <li>Higher Physics A or B</li> </ul>
Science & Technology	<ul style="list-style-type: none"> <li>Level 3 BGE</li> </ul>			
Practical Science		<ul style="list-style-type: none"> <li>Level 4 BGE</li> </ul>		



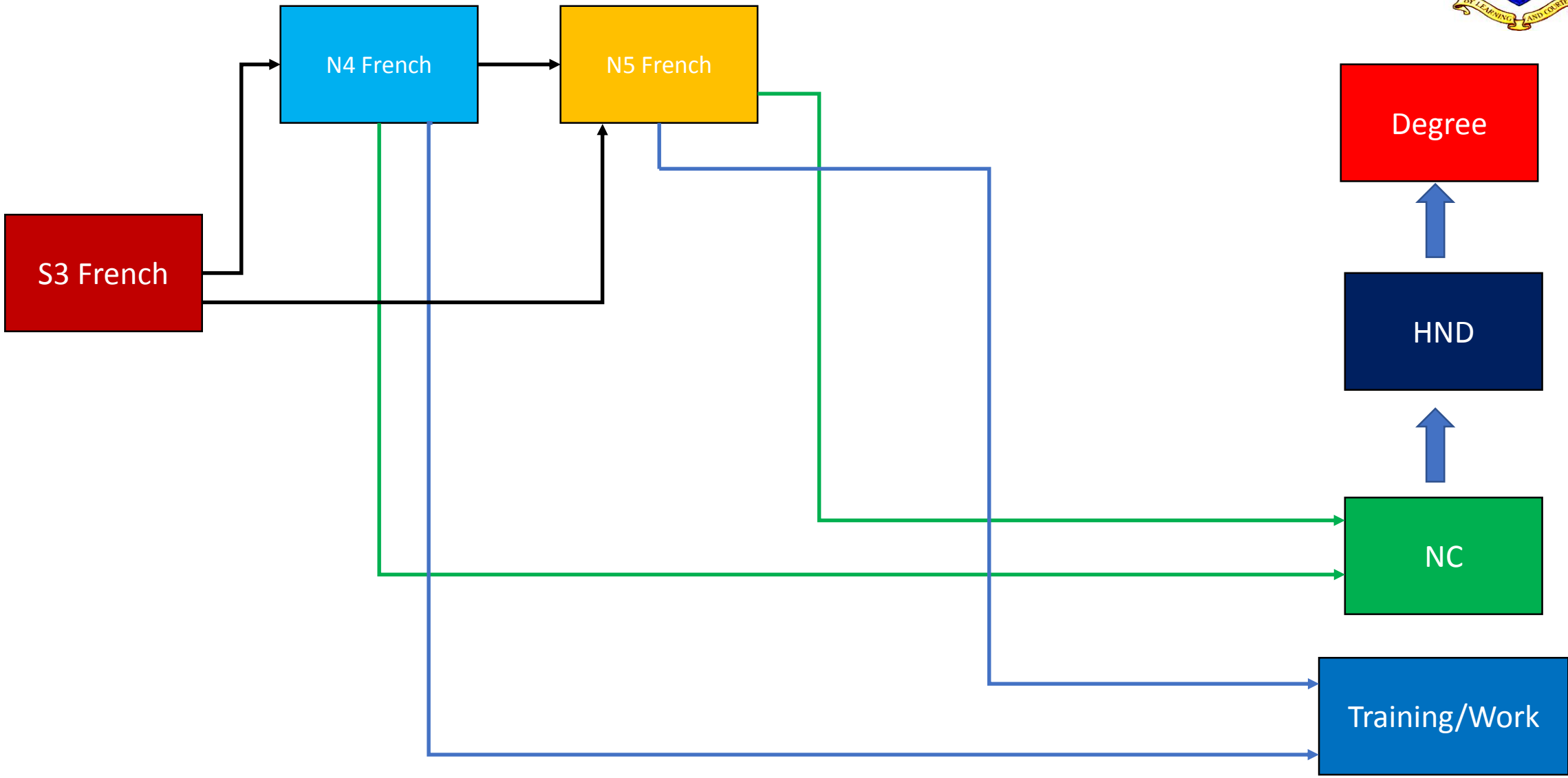
# Progression Pathways Wider Achievement



Pathways shown are typical progression route pathways for Harlaw school based courses. Other pathways are available via other learning facilities.

Entrance Requirements			
Subject	Level 4	Level 5	Level6
Enterprise & Employability		<ul style="list-style-type: none"> <li>Level 4 or N4 passes</li> </ul>	
Volunteering Skills		<ul style="list-style-type: none"> <li>Level 4 or N4 passes</li> </ul>	
Leadership Award			<ul style="list-style-type: none"> <li>L5 or N5 passes.</li> <li>Maturity and Resilience required</li> </ul>
Personal Development Award	<ul style="list-style-type: none"> <li>Level 2 /3 BGE courses or N3/ N4 passes</li> </ul>		
Wellbeing Award	<ul style="list-style-type: none"> <li>S4/S5 pupils only</li> </ul>	<ul style="list-style-type: none"> <li>S4/S5 pupils only</li> </ul>	

Progression Pathways Modern Languages



Pathways shown are typical progression route pathways for Harlow school based courses. Other pathways are available via other learning facilities.

### Entrance Requirements

Subject	Level 4	Level 5	Level 6
French	<ul style="list-style-type: none"><li>• Level 3 BGE</li><li>• Teacher Recommendation</li></ul>	<ul style="list-style-type: none"><li>• N4 Pass French</li><li>• Level 4 BGE</li><li>• Teacher Recommendation</li></ul>	